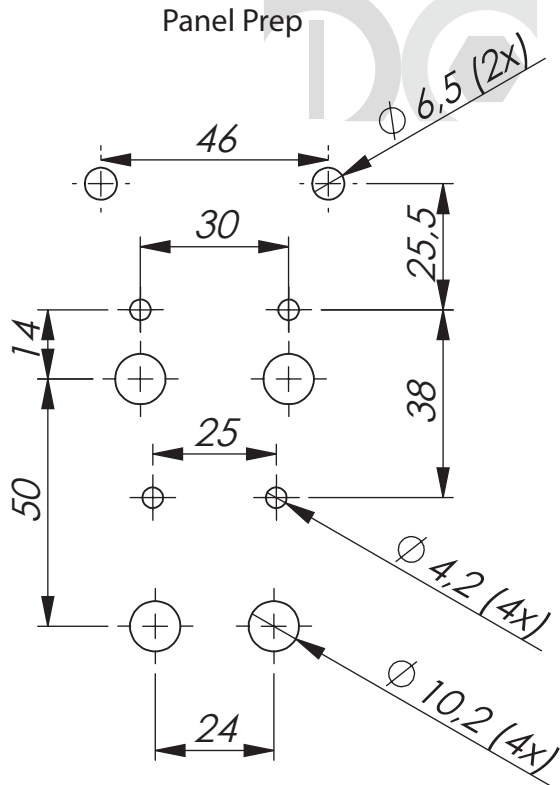
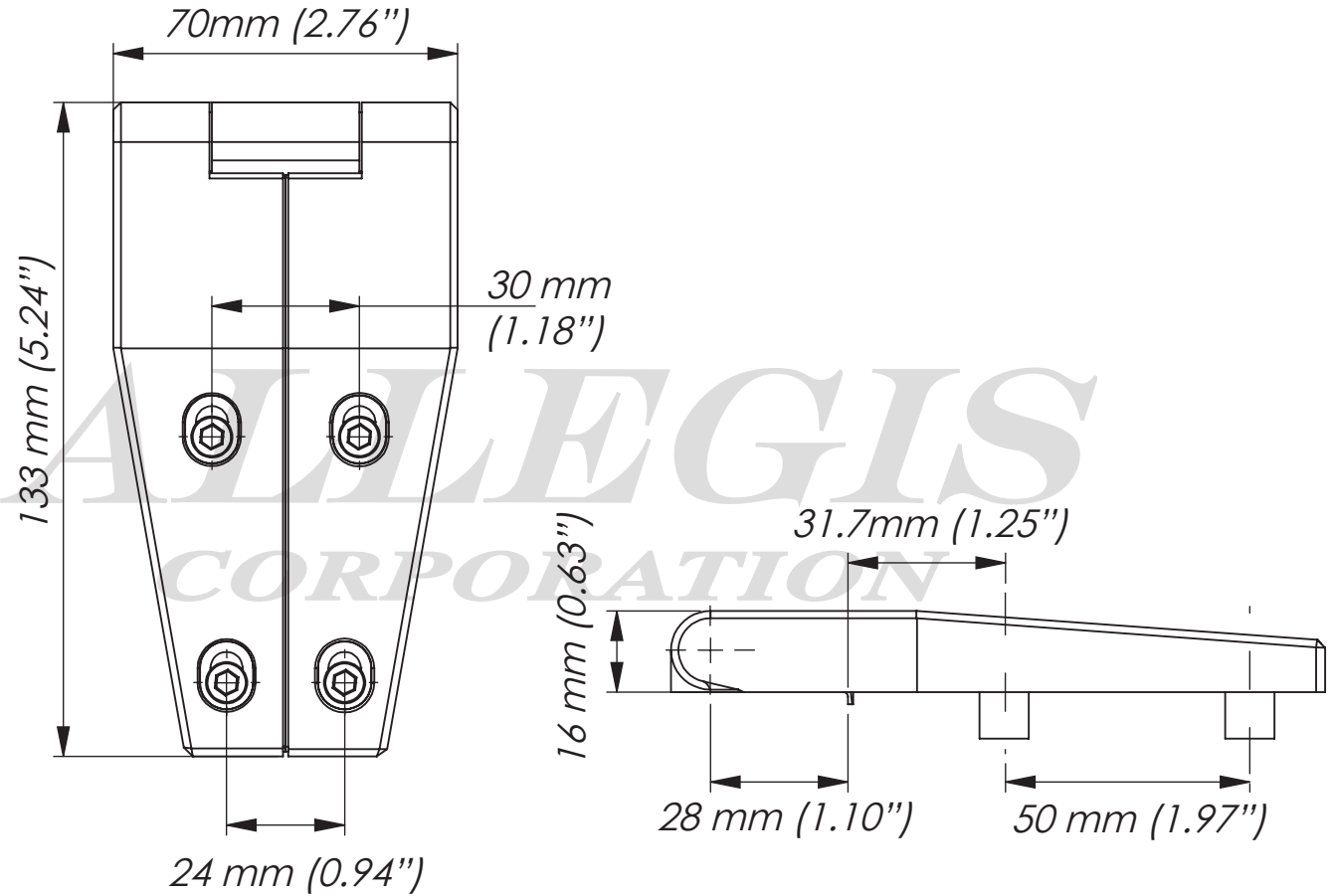


APPROVAL - CUSTOMER NAME & SIGNATURE

DATE



www.ALLEGISCORP.com
1-866-378-7550

MATERIAL / FINISH :
 Stainless Steel

REV. :

1 : 2

DATE :

2-14-2017

DESCRIPTION :

Hinge

DRAWING NO. :

323052